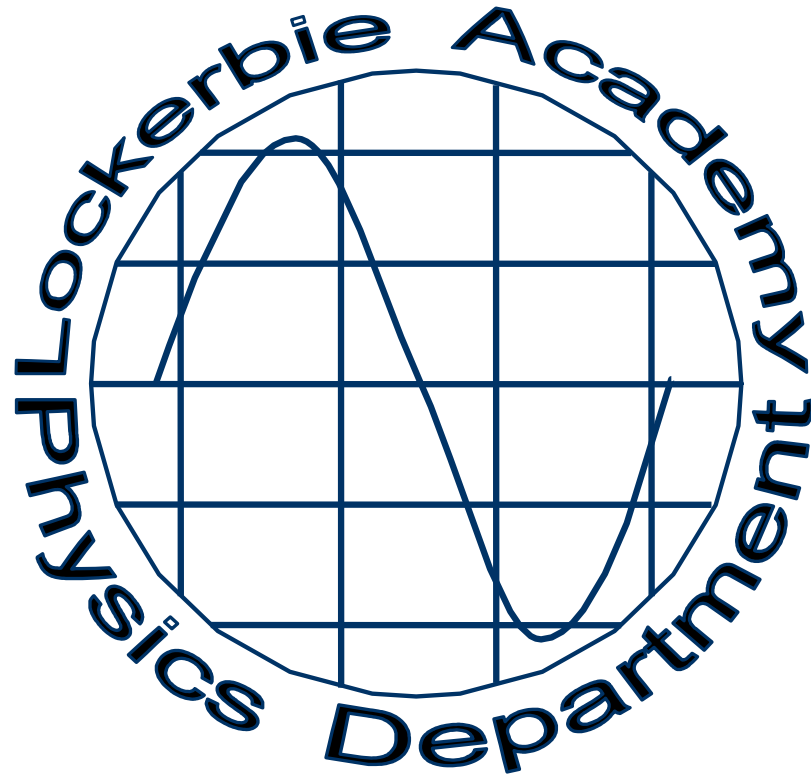


LOCKERBIE ACADEMY PHYSICS DEPT



**National 5 PHYSICS  
ELECTRICITY & ELECTRONICS**



LOCKERBIE ACADEMY PHYSICS DEPT

**Ways to work out voltage divider circuits.**

**Follow the plan below:**

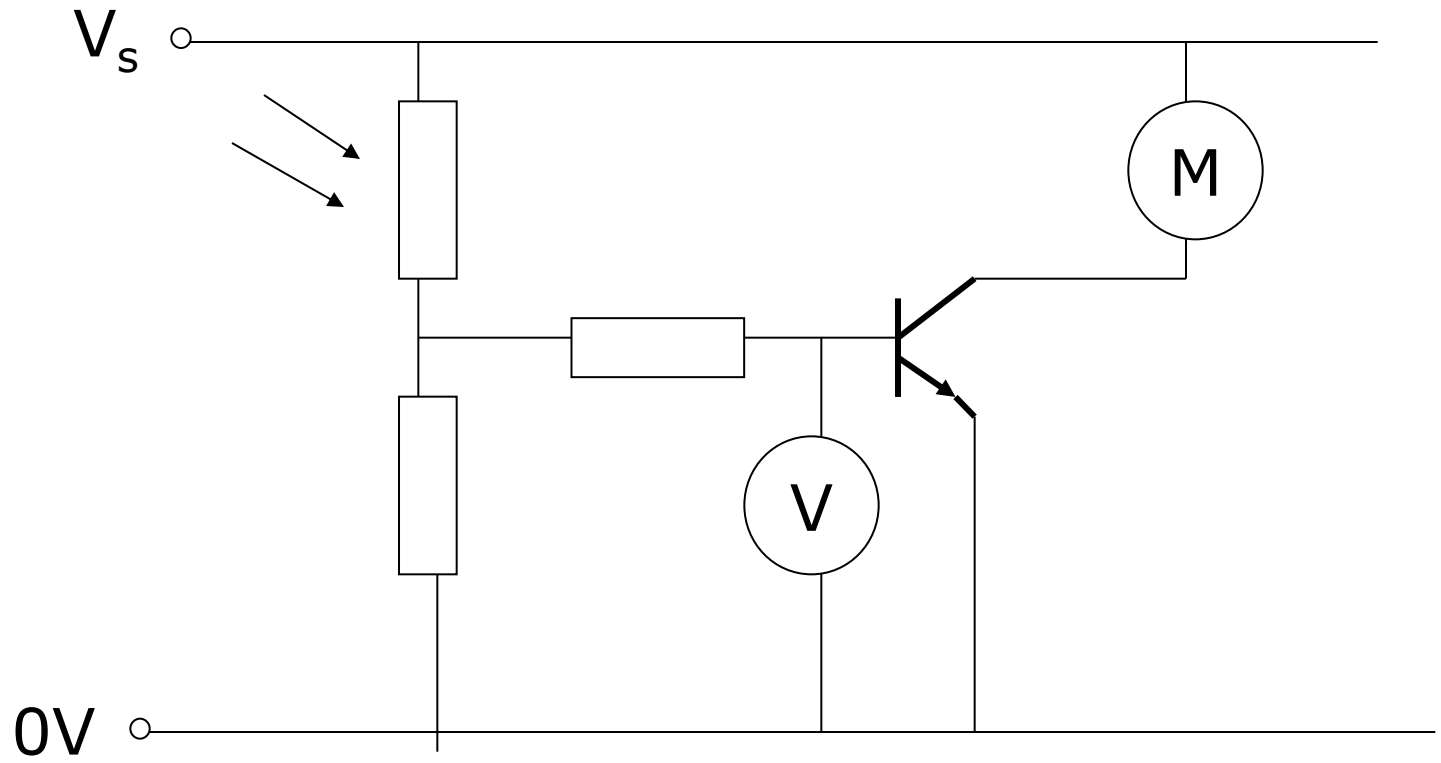


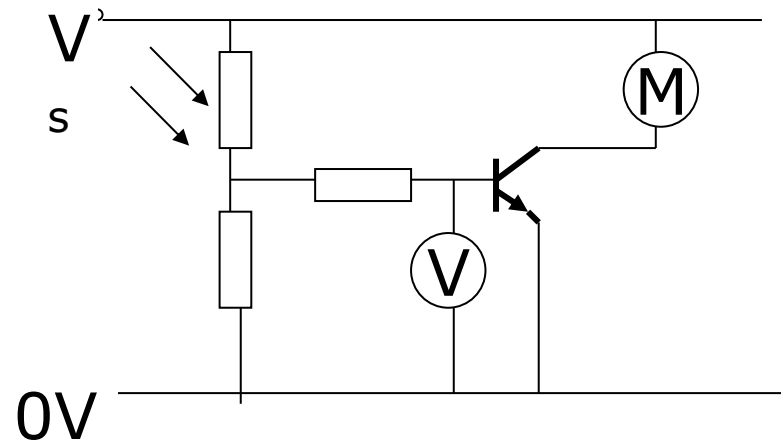
## LOCKERBIE ACADEMY PHYSICS DEPT

1. Identify the component (the input device)
2. Set the conditions
3. Decide what happens to the resistance
4. Work out the effect of the voltage across the component
5. Find the effect on  $V_{out}$
6. Find the effect on the transistor (include the magic number)
7. Find the effect on the output device



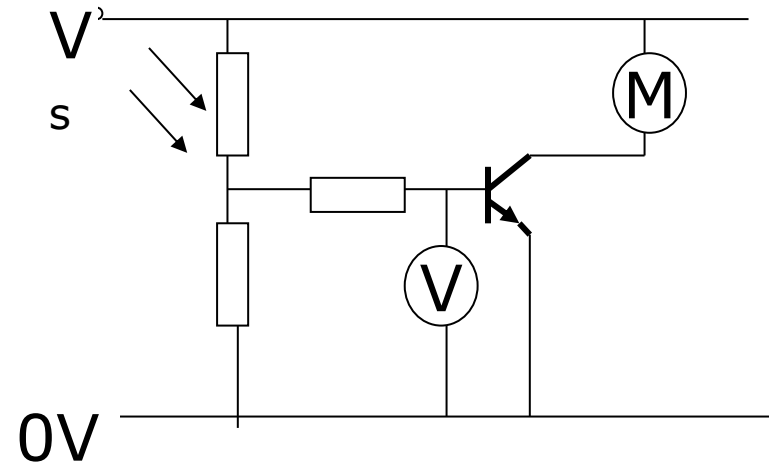
# LOCKERBIE ACADEMY PHYSICS DEPT



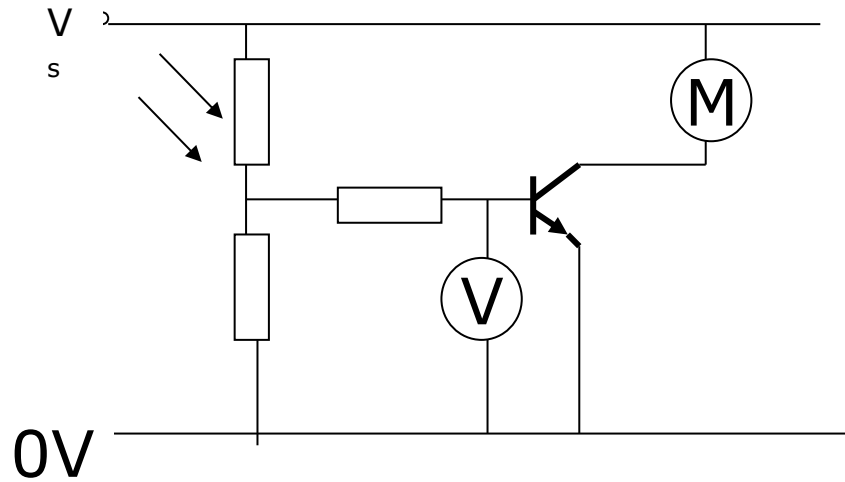


1. Identify the component

**LDR**

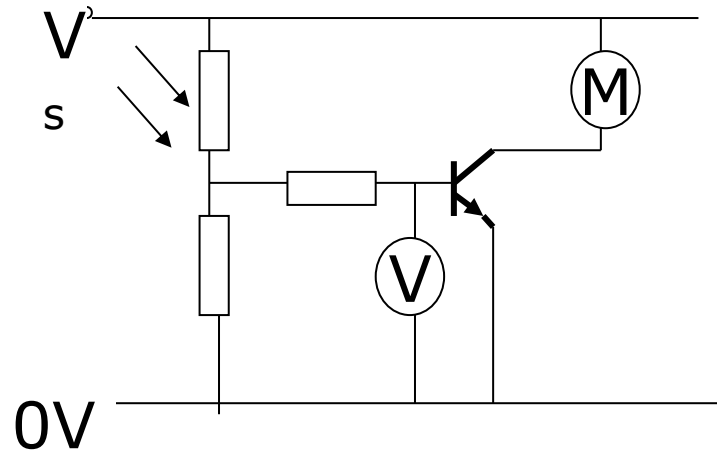


2. Set the conditions  
As light increases



3. Decide what happens to the resistance

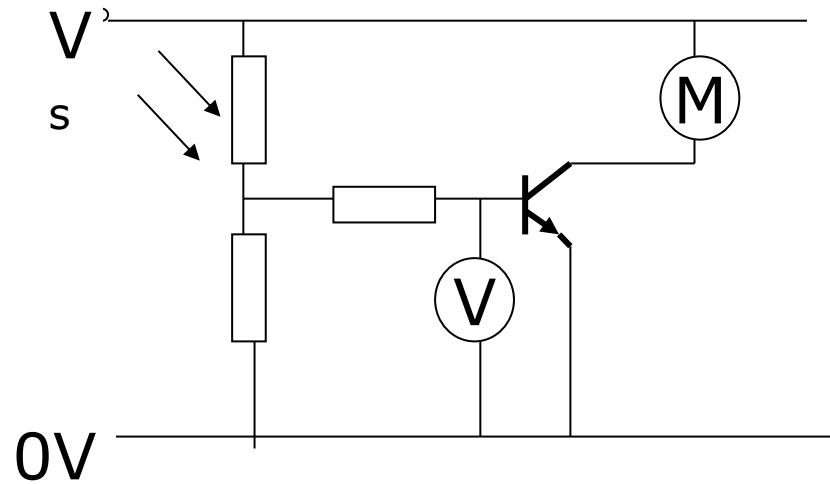
As light increases  
**RESISTANCE** decreases



4. Work out the effect of the voltage across the component

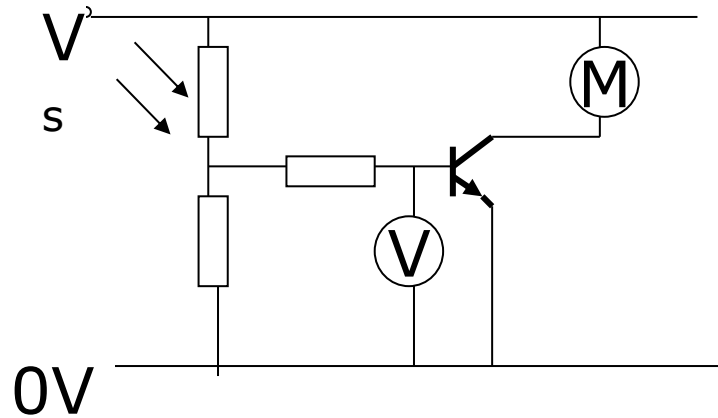
**As resistance decreases voltage across the LDR decreases**





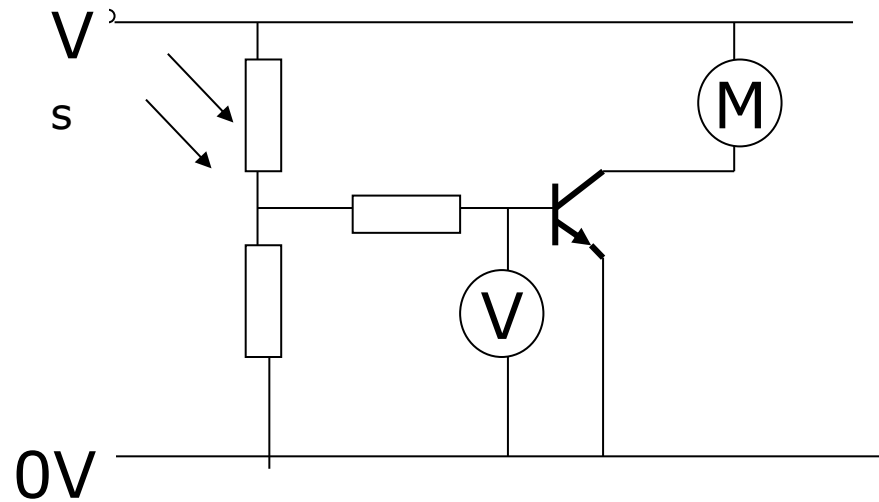
5. Find the effect on  $V_{out}$

As  $V_{LDR}$  decreases  $V_{out}$  increases as they are not the same



6. Find the effect on the transistor (include the magic number)

As  $V_{out}$  increases the voltage will increase above  $0.7V$  (the magic number) across the base and emitter, the transistor will *switch on*

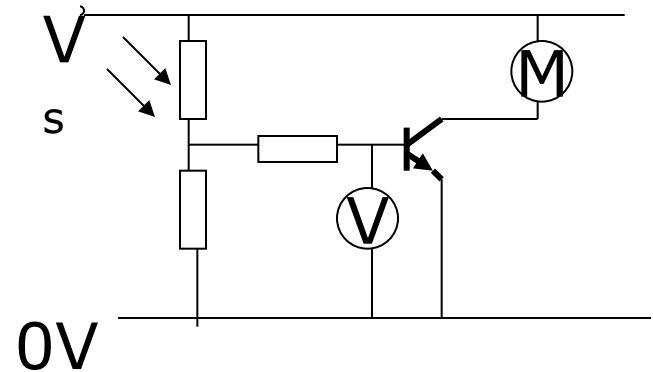


7. Find the effect on the output device

Charge will flow between the emitter and collector and the *motor will be on*.

1. Identify the component

2. Set the conditions



3. Decide what happens to the resistance

4. Work out the effect of the voltage across the component

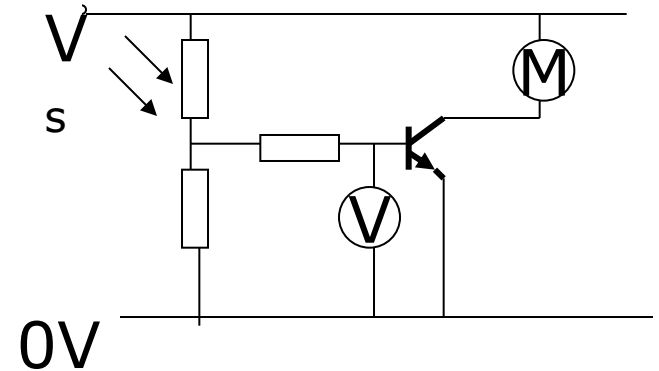
5. Find the effect on  $V_{out}$

6. Find the effect on the transistor (include the magic number)

7. Find the effect on the output device

How this **LDR** circuit works

As light increases  
**RESISTANCE**  
decreases



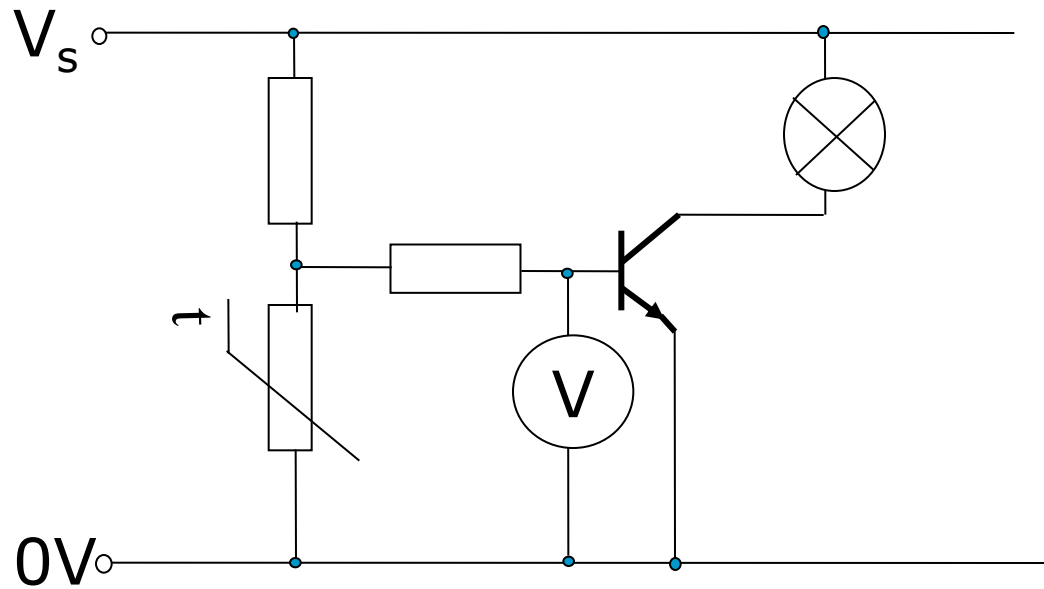
**Voltage across the LDR decreases**

As  $V_{LDR}$  decrease  $V_{out}$  increases as they are not the same

As  $V_{out}$  increases the voltage will increase above  $0.7V$  (the magic number), the transistor will switch on. Charge will flow between the emitter and collector and

*the motor will be on*

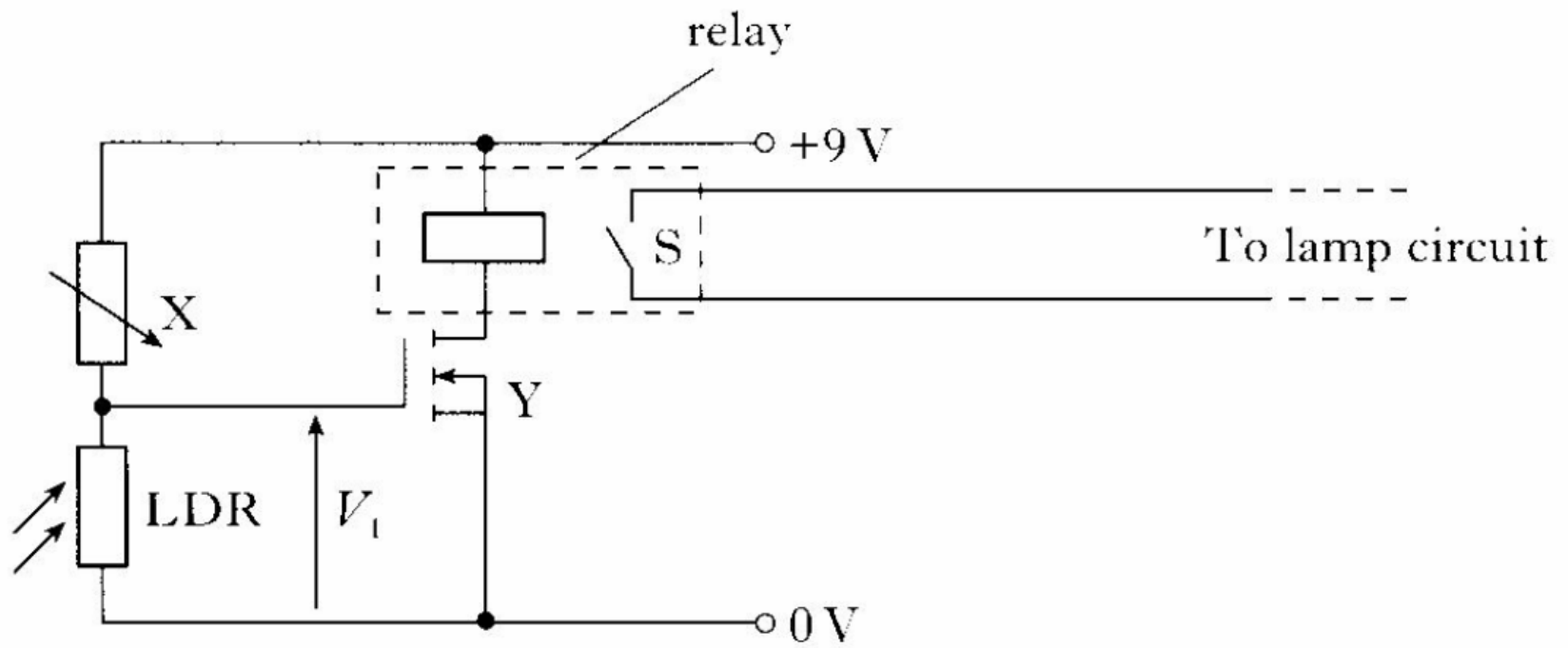
Now try this one yourself





# Other TRANSISTORS

- N-channel enhancement MOSFETS work in a similar way but the SWITCHING VOLTAGE is 1.8V





# Past Paper Q

