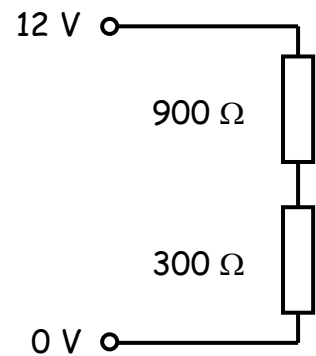
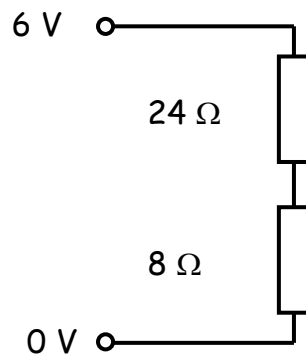
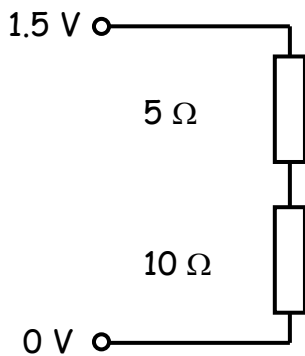
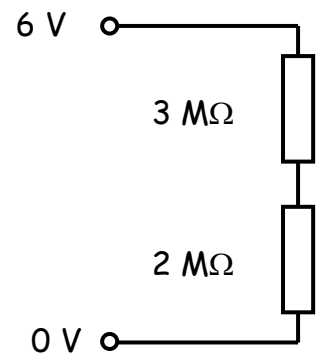
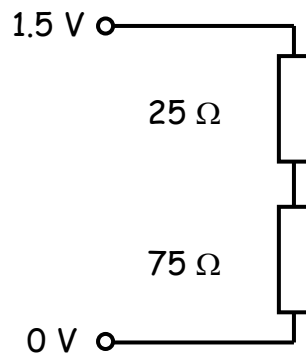
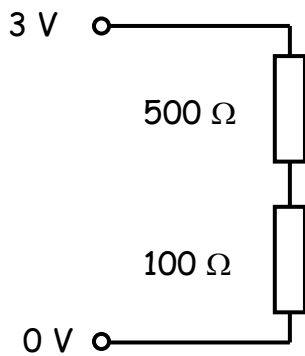
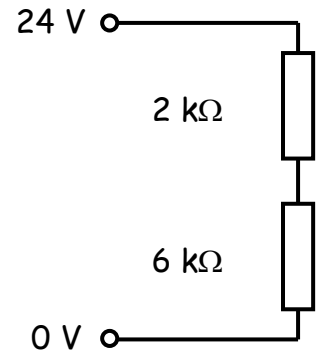
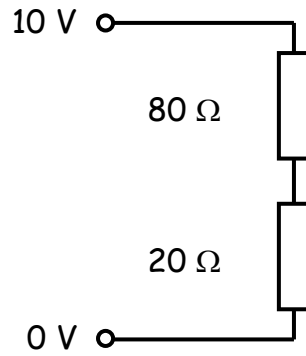
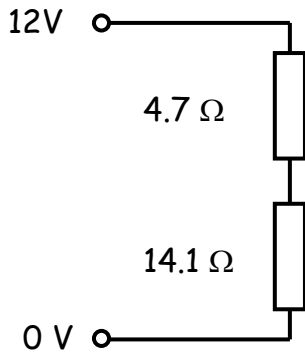


FIND THE VOLTAGE DROP ACROSS BOTH RESISTORS.



FIND THE VOLTAGE DROP ACROSS BOTH RESISTORS.

